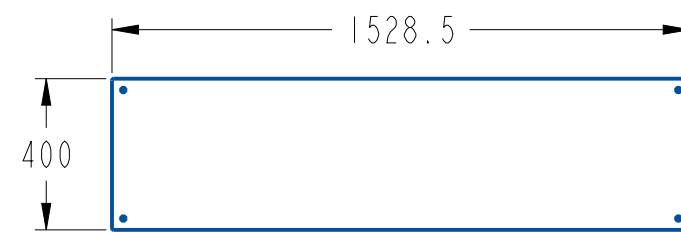
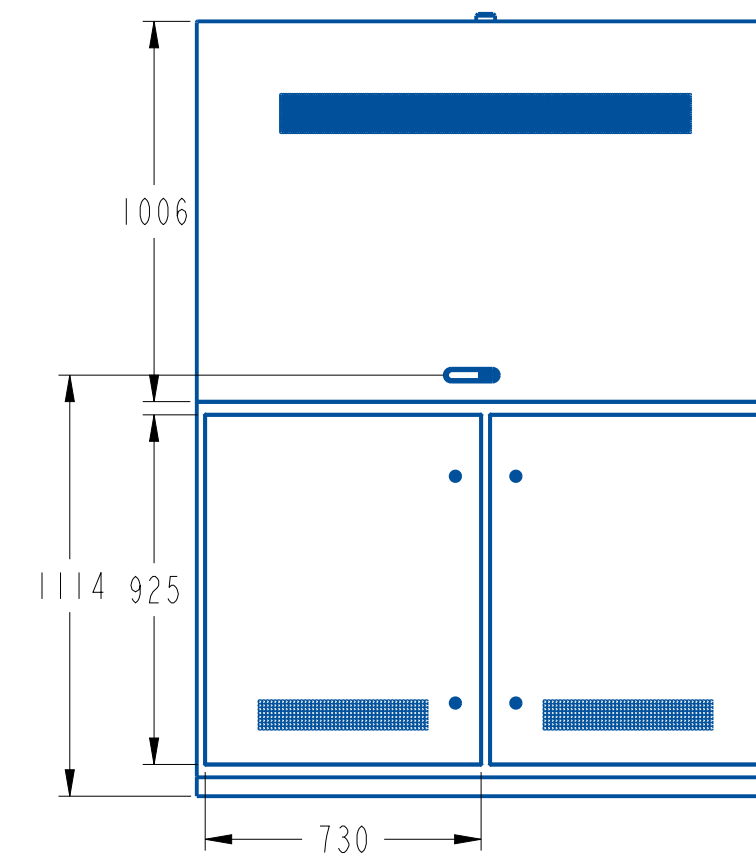
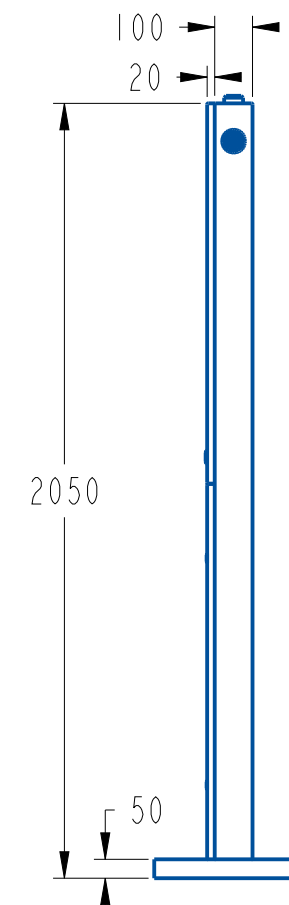
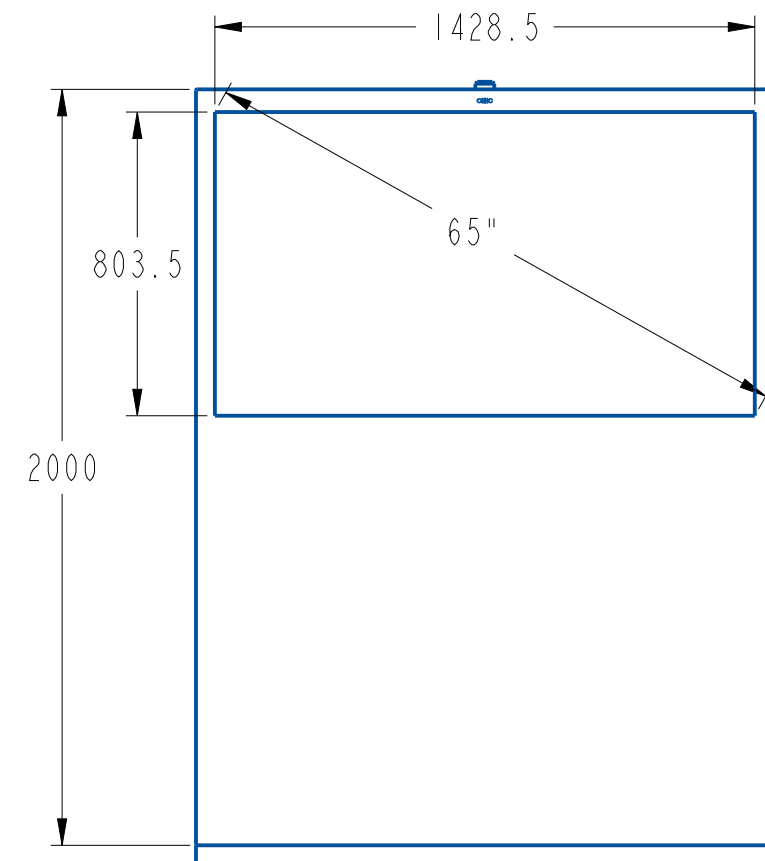
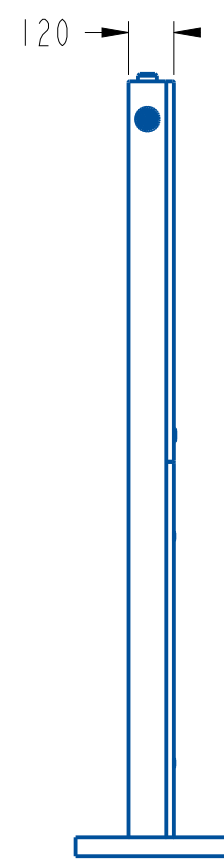
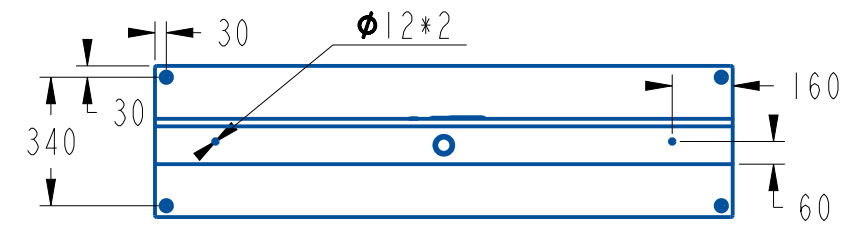


YSD-OD6500ZFSH-FC-N



| | | | | | | | | | | | |
|------|--------|-----------|-----------|-----------|----------|----------------|--|---------------------|------------|---------------------------|---------|
| | | | | | | Plating | | | | | |
| | | | | | | 65 inch screen | | Yamato Signage Inc. | | | |
| Mark | Number | partition | Change No | Signature | Date | | | Unit | Proportion | Projection identification | Edition |
| | | | | | 02-07-21 | Product code | | | mm | 1:20 | A0 |
| | | | | | | | | Qty | | 1 st | total 1 |
| | | | | | | | | | | YSD-OD6500ZFSH-FC-N | |
| | | | | | | | | | | | |
| | | | | | | | | | | | |
| | | | | | | | | | | | |
| | | | | | | | | | | | |